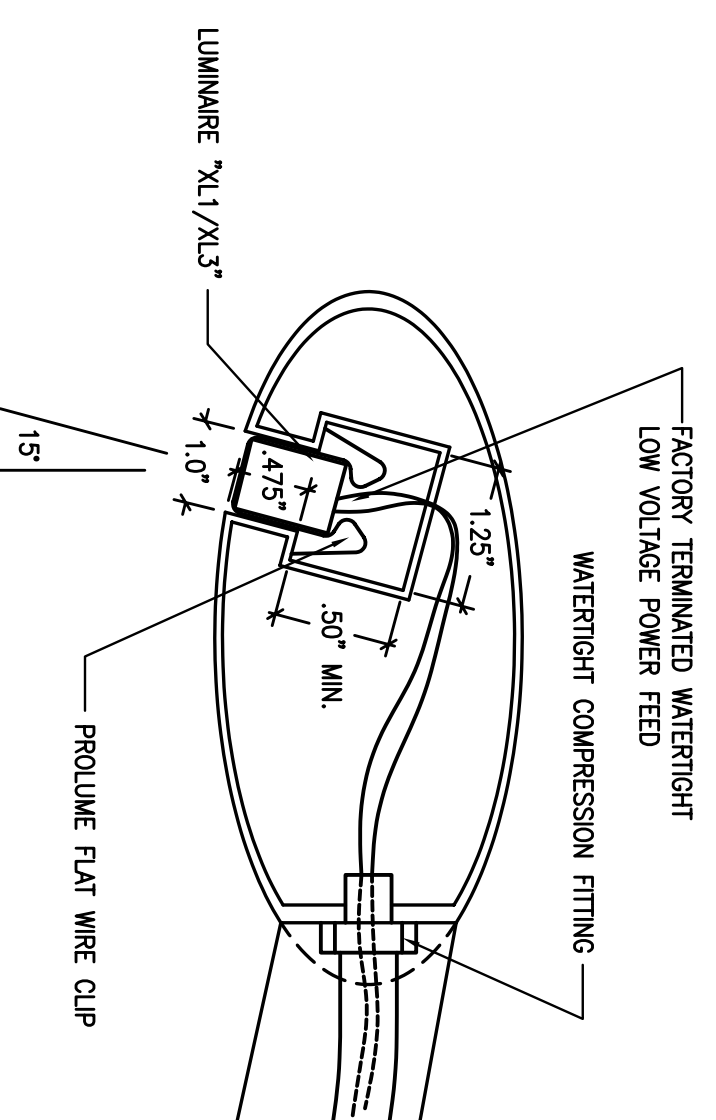
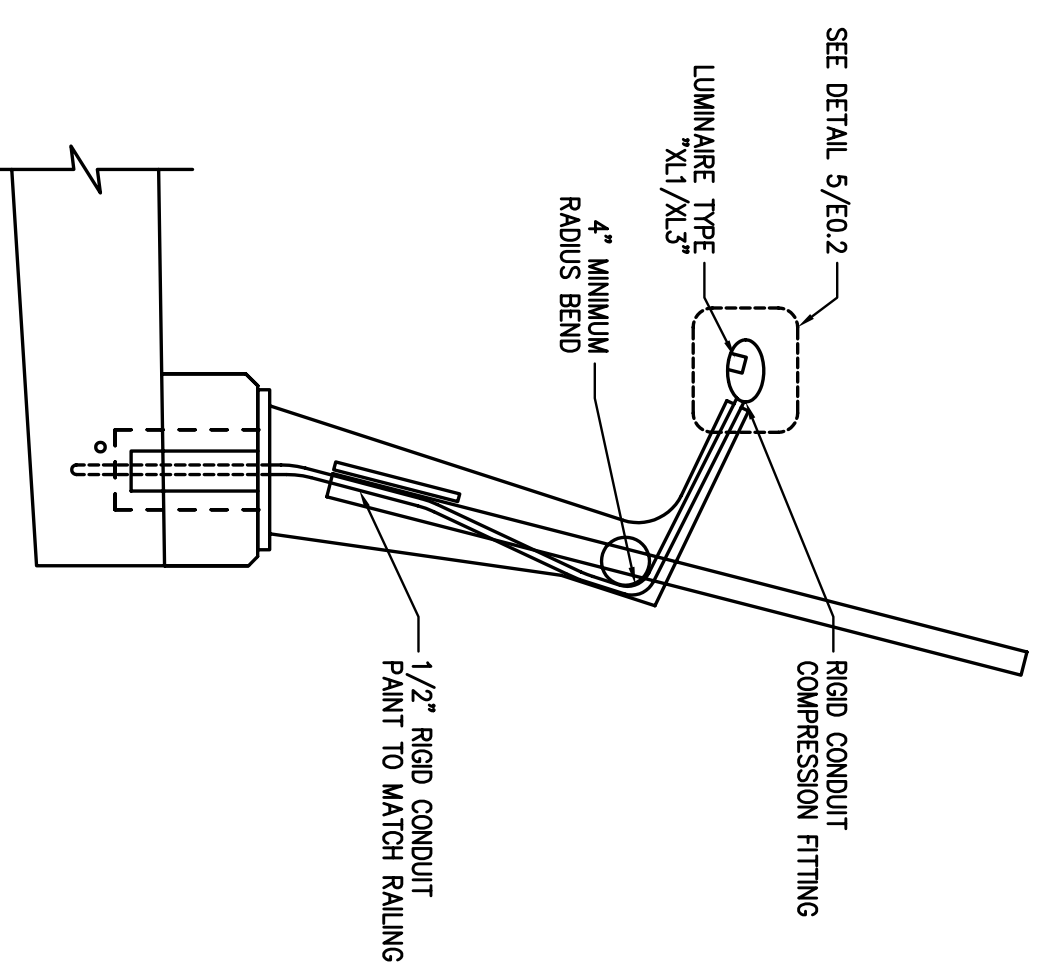


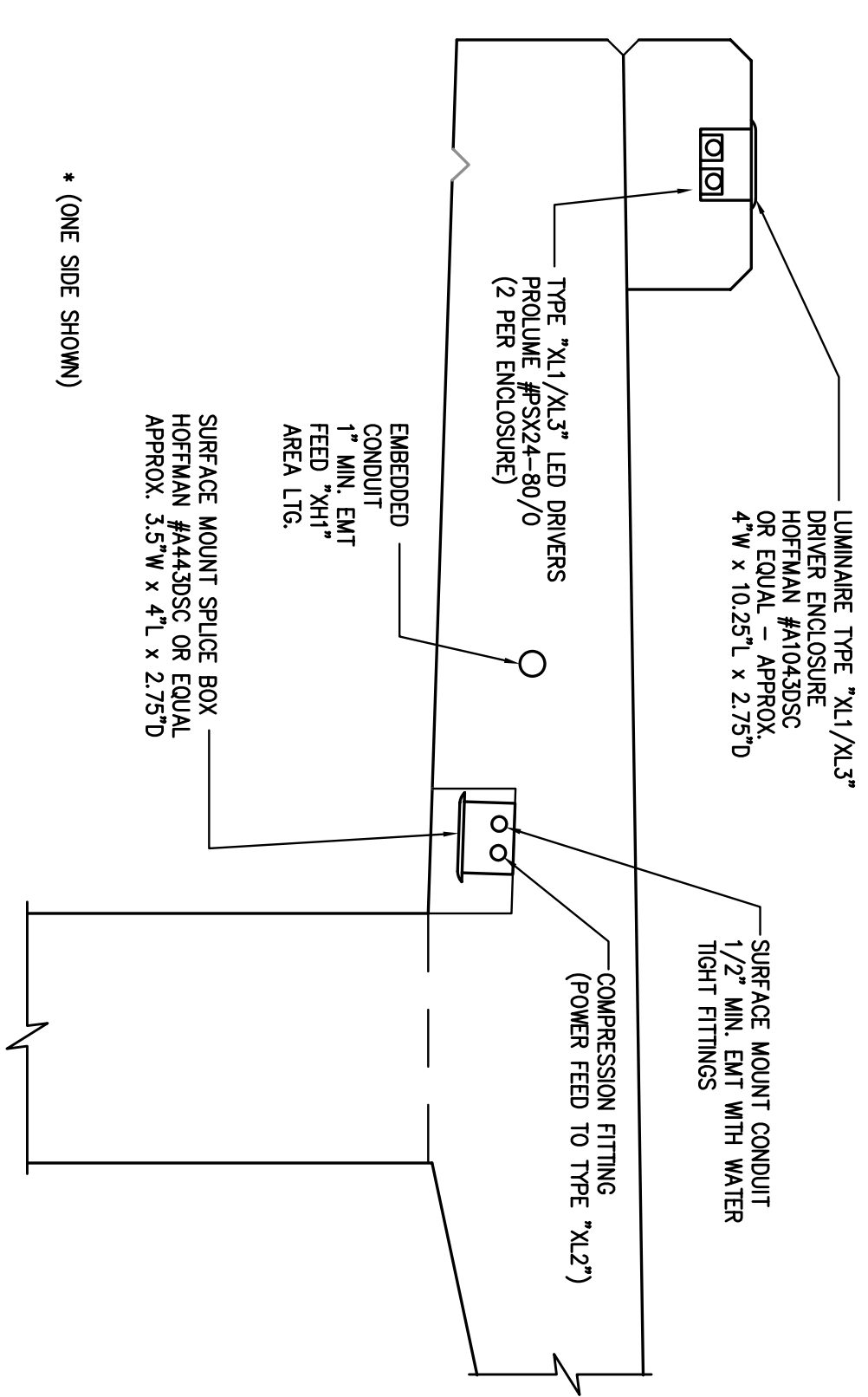
4 CONDUIT DETAIL - RAILING ELEVATION  
NO SCALE



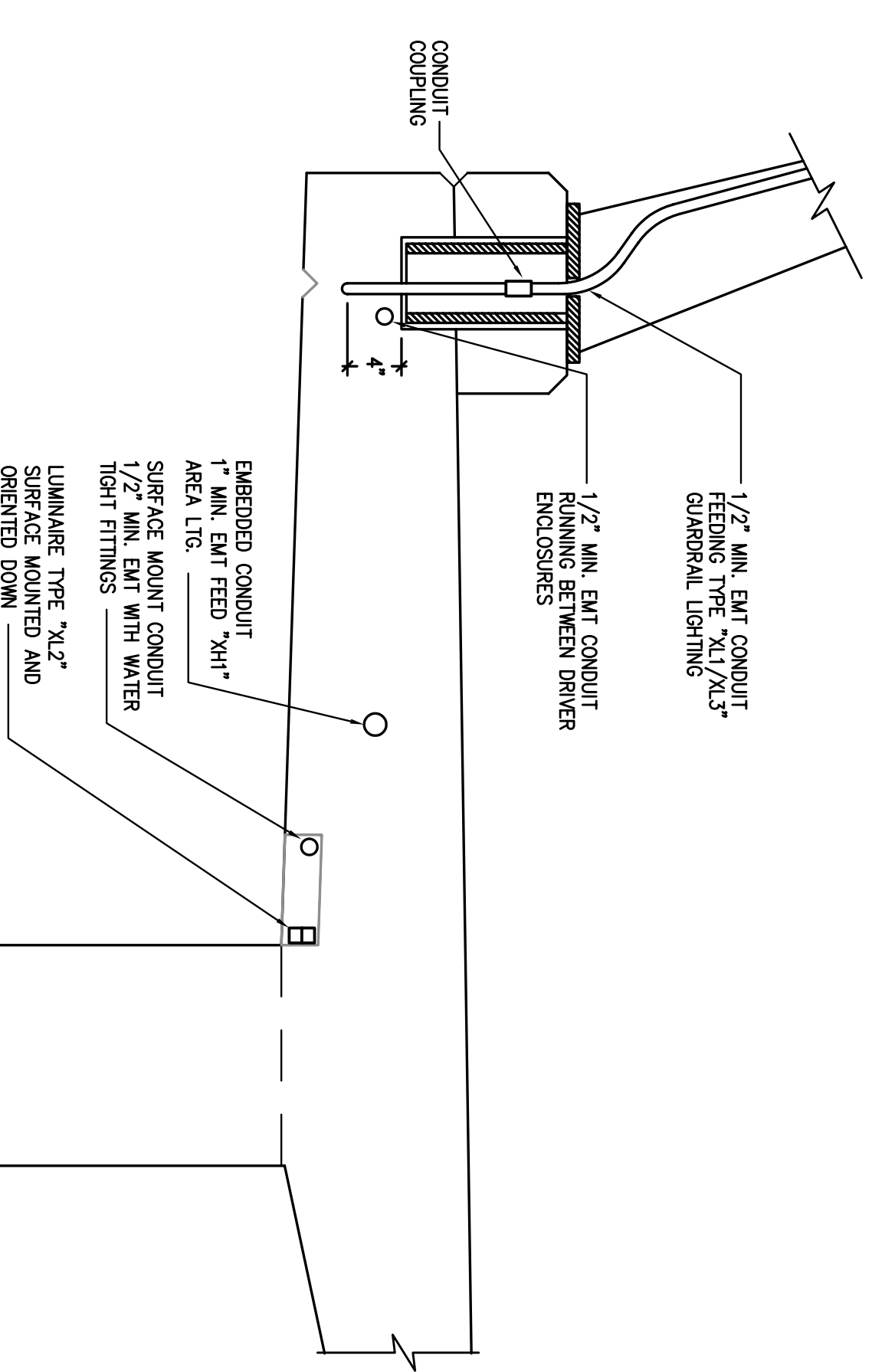
5 GUARDRAIL SECTION DETAIL  
NO SCALE



3 CONDUIT DETAIL AT RAILING SUPPORT  
NO SCALE



2 SECTION AT DRIVER ENCLOSURE  
NO SCALE



1 SECTION AT RAIL SUPPORT  
NO SCALE

Spec No. 3248  
City Contract, CIP No. 58-147.0

PLANS FOR THE CONSTRUCTION OF:

ROSE CREEK BIKEWAY BRIDGE  
ELECTRICAL - EO.2  
ELECTRICAL DETAILS

CITY OF SAN DIEGO, CALIFORNIA  
ENGINEERING AND CAPITAL PROJECTS DEPARTMENT  
SHEET 18 OF 35 SHEETS

NO. 581470

FOR CITY ENGINEER \_\_\_\_\_ DATE \_\_\_\_\_  
BY \_\_\_\_\_ APPROVED DATE \_\_\_\_\_ FILED \_\_\_\_\_  
SECTION HEAD

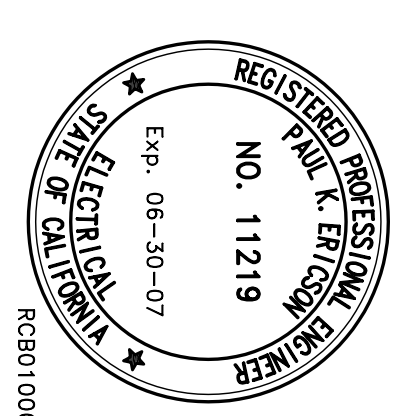
FILE NUMBER \_\_\_\_\_ DATE \_\_\_\_\_  
LUDWIG A. KRIKORIAN  
PROJECT MANAGER

PROJECT ENGINEER \_\_\_\_\_  
ANDRÉ G. DEMICH  
PROJECT ENGINEER  
230-1698

DATE STARTED \_\_\_\_\_ DATE COMPLETED \_\_\_\_\_  
LUMBERT CONSULTANTS  
33769-18-D

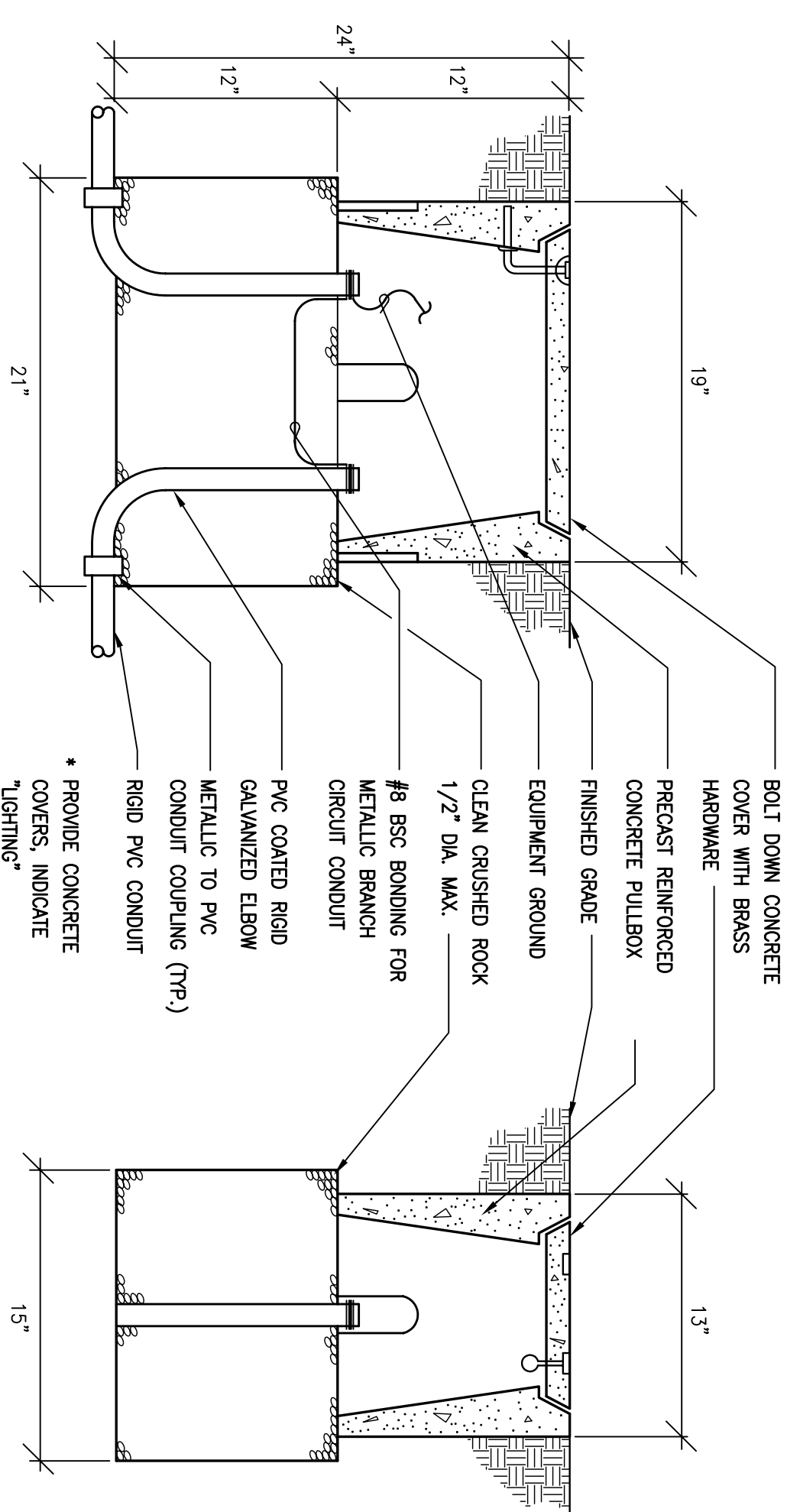
**SYSKA HENNESSY GROUP**  
www.syska.com  
Siska Hennessy Group, Inc.  
8665 Granite Ridge Drive  
San Diego, CA 92123  
Tel: 858.244.0380 Fax: 858.244.0381

ENGINEER OF WORK  
No. 499 06-30-07 DATE  
PROJECT ENGINEER Paul K. Ersson REG. EXP. DATE

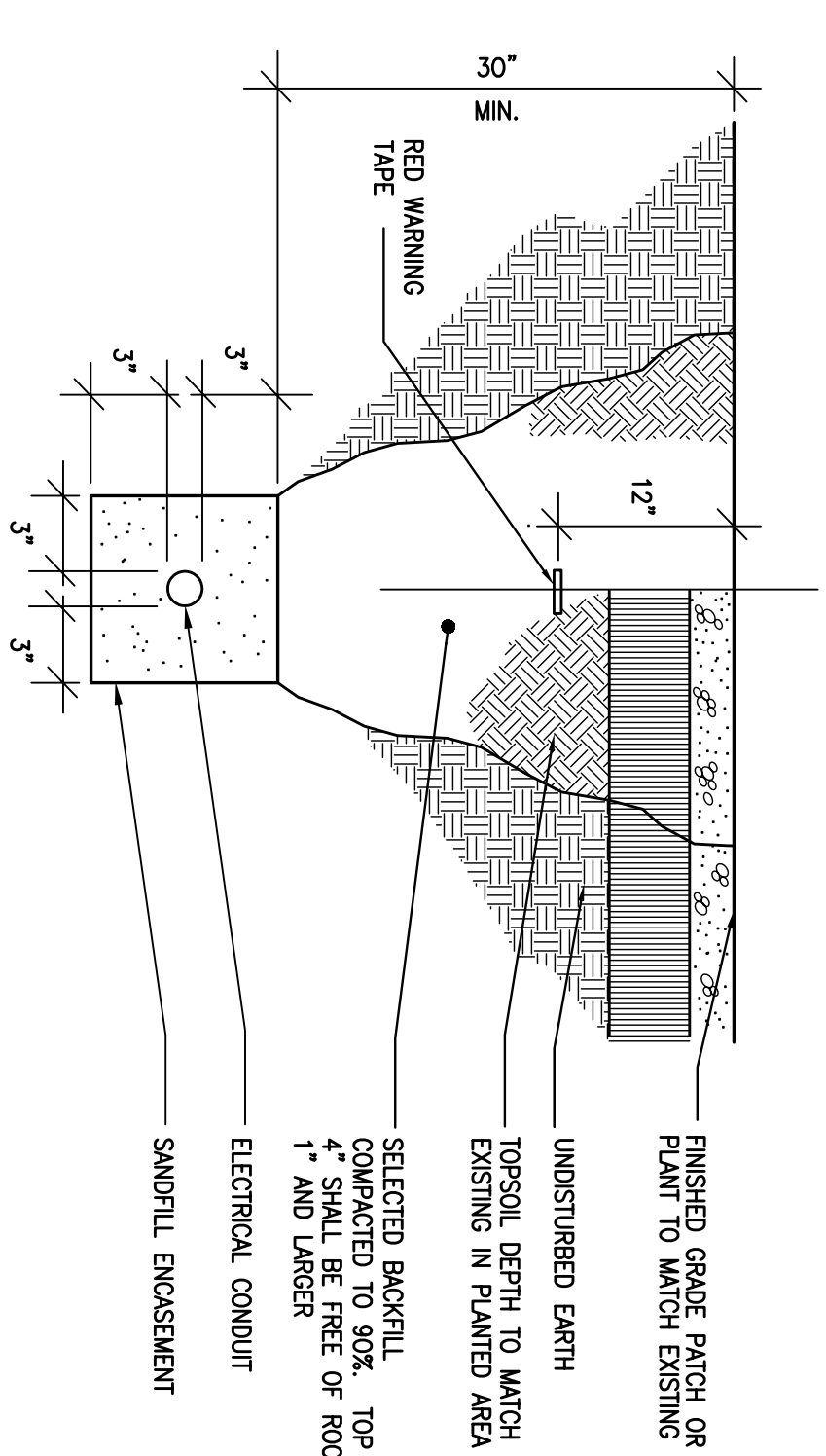


CONTRACTOR MUST NOTIFY THE  
BELOW LISTED AGENCY AT  
LEAST TWO (2) WORKING DAYS  
PRIOR TO COMMENCEMENT OF  
EXCAVATION:

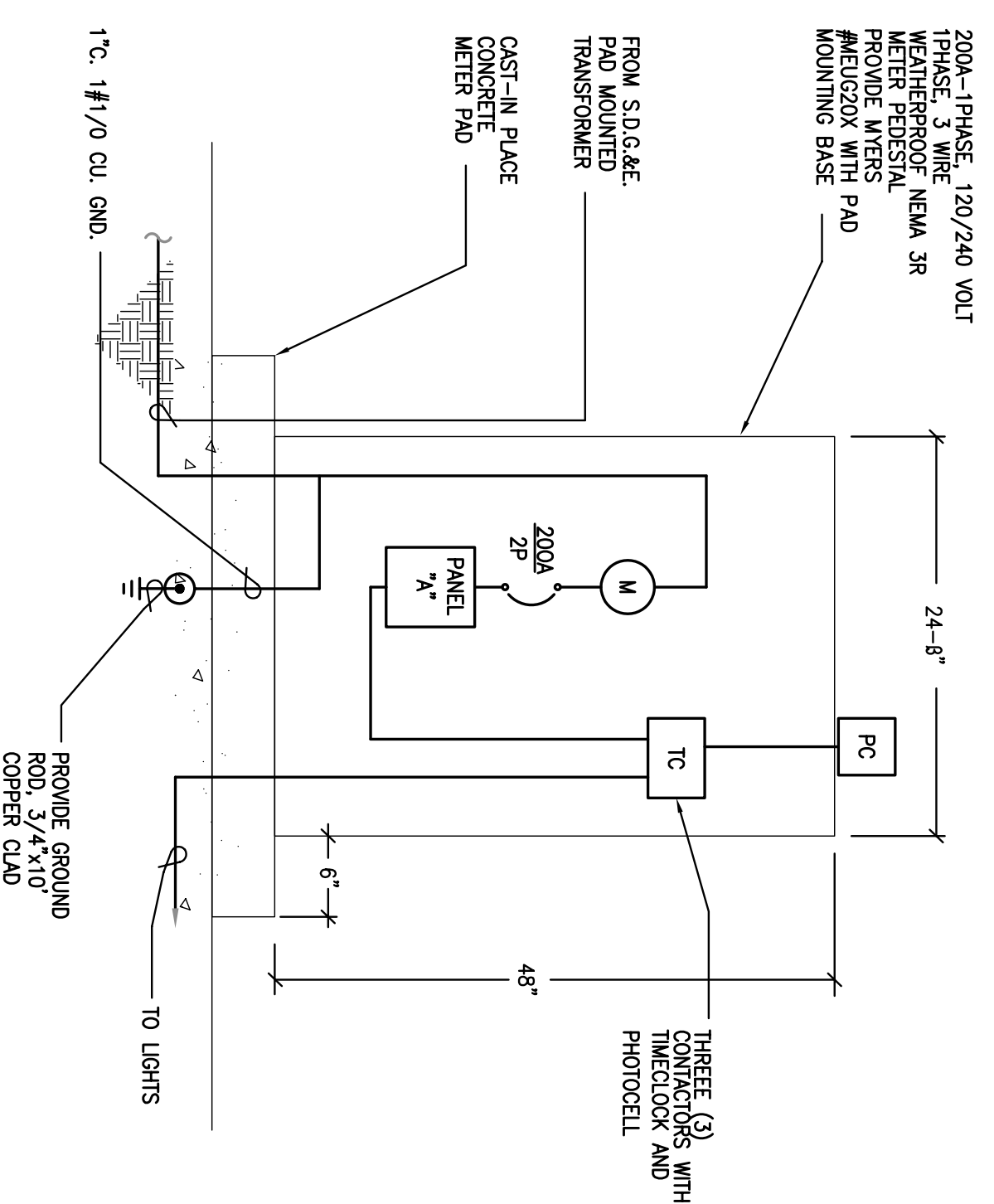
UNDERGROUND SERVICE ALERT  
(USA) 1-800-227-2600



4 PULL BOX  
NO SCALE

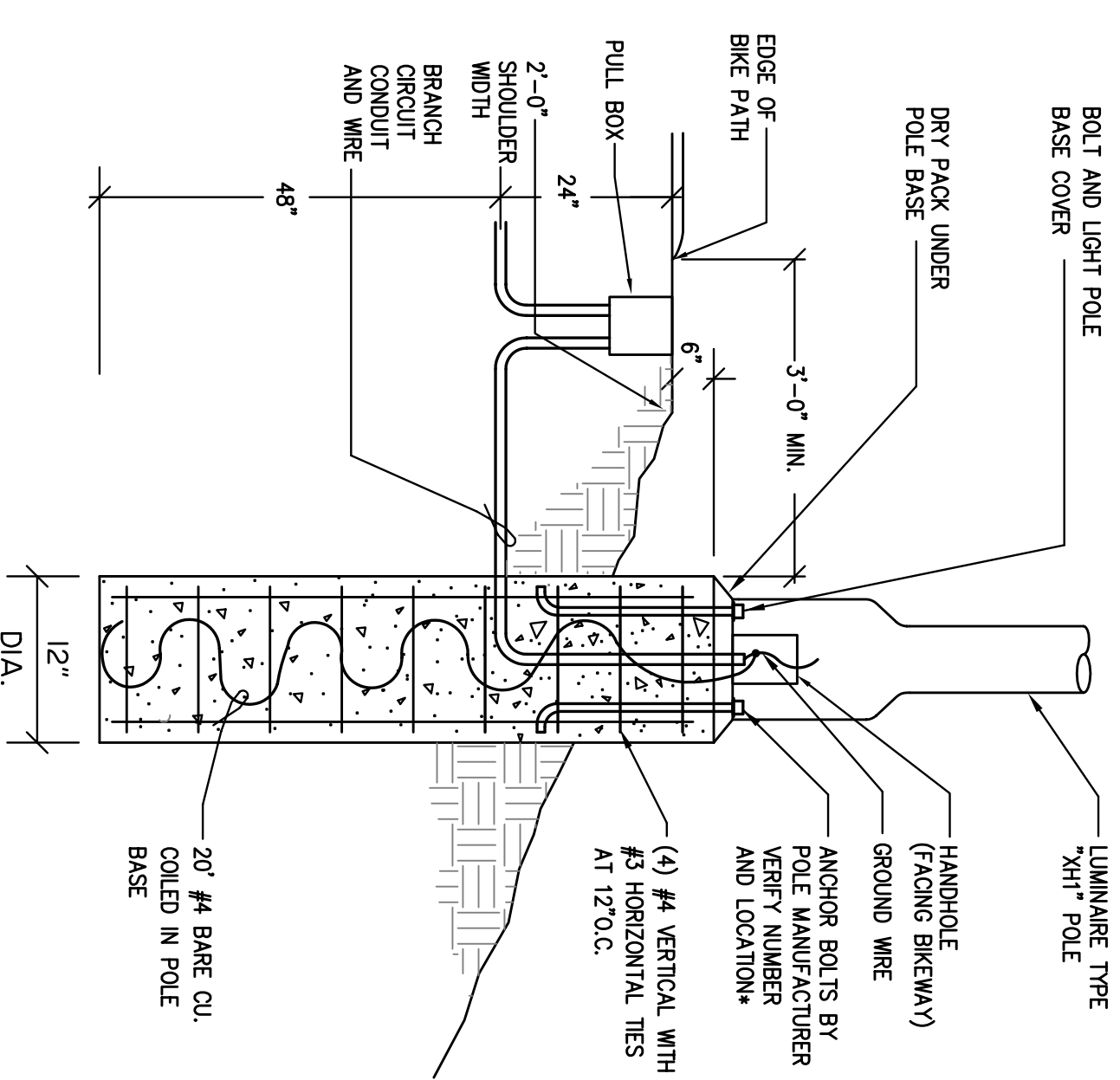


2 TRENCH SECTION DETAIL  
NO SCALE



CONTRACTOR	PANEL-CIRCUIT	DESCRIPTION	CONTROL	# OF POLES
R1	2A-1* 2A-3*	GUARDRAIL LIGHTING	PHOTOCELL - ON PHOTOCELL - OFF	3
R2	2A-2* 2A-4* 2A-6* 2A-8*	AREA LIGHT WEST END AREA LIGHT EAST END	PHOTOCELL - ON PHOTOCELL - OFF	4
R3	2A-5* 2A-7*	ACCENT LIGHTING	PHOTOCELL - ON PHOTOCELL - OFF (MIDNIGHT)	3

3 ELECTRICAL SINGLE LINE DIAGRAM  
NO SCALE



1 XH1 POLE BASE DETAIL  
NO SCALE

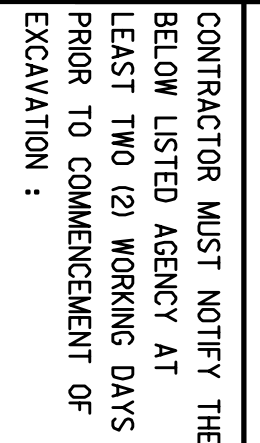
Spec No. 3248  
City Contract, CIP No. 58-147.0

PLANS FOR THE CONSTRUCTION OF:

ROSE CREEK BIKEWAY BRIDGE  
ELECTRICAL - EO.3  
ELECTRICAL DETAILS

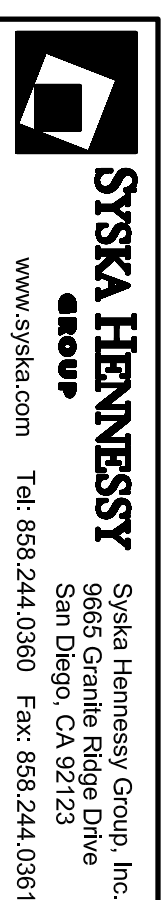
CITY OF SAN DIEGO, CALIFORNIA  
ENGINEERING AND CAPITAL PROJECTS DEPARTMENT  
SHEET 19 OF 35 SHEETS

NO. 581470



CONTRACTOR MUST NOTIFY THE BELOW LISTED AGENCY AT LEAST TWO (2) WORKING DAYS PRIOR TO COMMENCEMENT OF EXCAVATION:

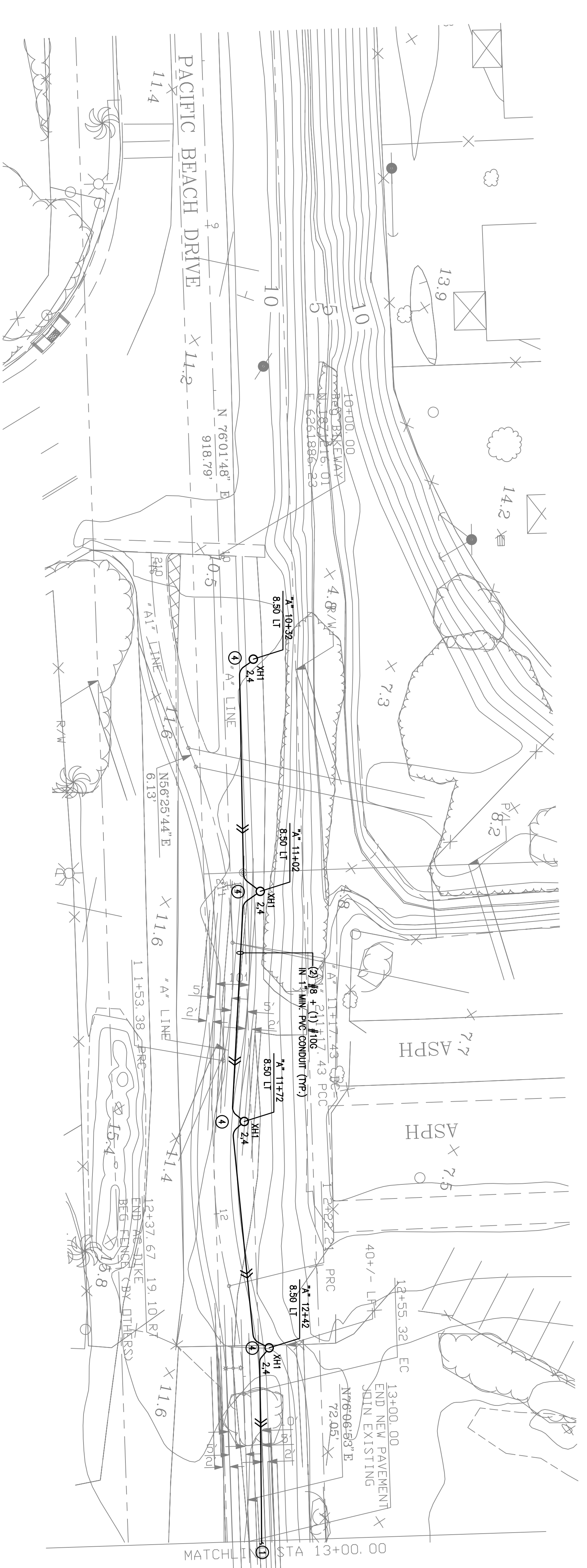
UNDERGROUND SERVICE ALERT (USA) 1-800-227-2600



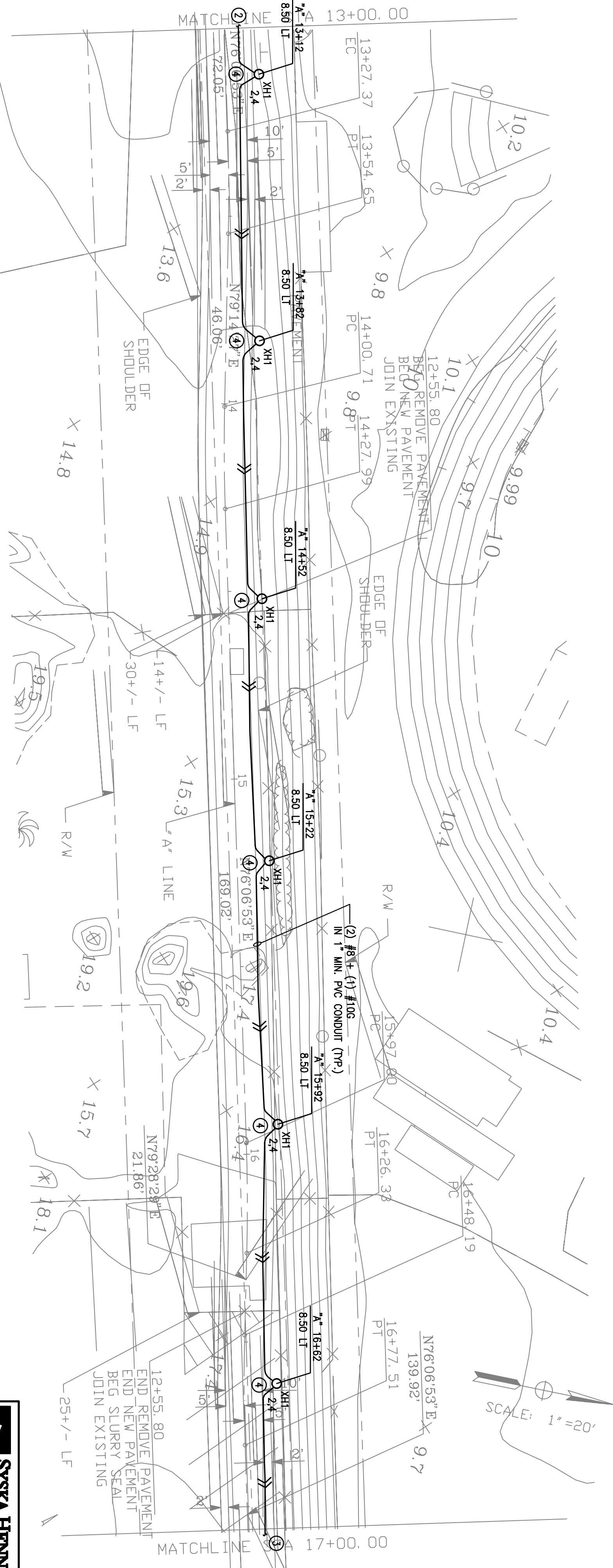
SYSKA HENNESSY GROUP  
8665 Granite Ridge Drive  
San Diego, CA 92123  
Tel: 858.244.0380 Fax: 858.244.0381  
www.syska.com

ENGINEER OF WORK  
NO. 499 06-30-07 DATE

FOR CITY ENGINEER	BY	APPROVED DATE	FILED
SECTION HEAD	JUDITH BOITTO		
PROJECT MANAGER	LUDWIG ARIKOTI		
PROJECT ENGINEER	ANDRÉ G. DENNICH		
LABORER COMMENTS	230-1698		
DATE STARTED	33769-19-D		



**1** ELECTRICAL PLAN - STA 10+00.00 TO STA 13+00.00  
SCALE: 1" = 20'



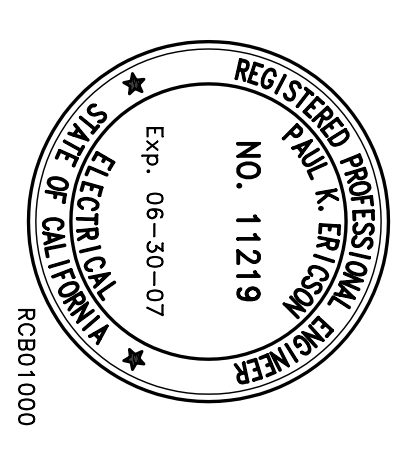
**2** ELECTRICAL PLAN - STA 13+00.00 TO STA 17+00.00  
SCALE: 1" = 20'

- SHEET NOTES
- ① FOR CONTINUATION SEE DETAIL 2 ON SHEET E1.1.
  - ② FOR CONTINUATION SEE DETAIL 1 ON SHEET E1.1.
  - ③ FOR CONTINUATION SEE DETAIL 1 ON SHEET E1.2.
  - ④ PROVIDE PULL BOX AT EACH LUMINAIRE TYPE 'X' LOCATION. SEE DETAIL V/EO.3.

**SYSKA HENNESSY**  
GROUP  
www.syska.com  
Siska Hennessy Group, Inc.  
8665 Granite Ridge Drive  
San Diego, CA 92123  
Tel: 858.244.0380 Fax: 858.244.0381

ENGINEER OF WORK

PROJECT NUMBER	Paul K. Graham
NO.	489
DATE	06-30-07



CONTRACTOR MUST NOTIFY THE BELOW LISTED AGENCY AT LEAST TWO (2) WORKING DAYS PRIOR TO COMMENCEMENT OF EXCAVATION:

UNDERGROUND SERVICE ALERT (USA) 1-800-227-2600

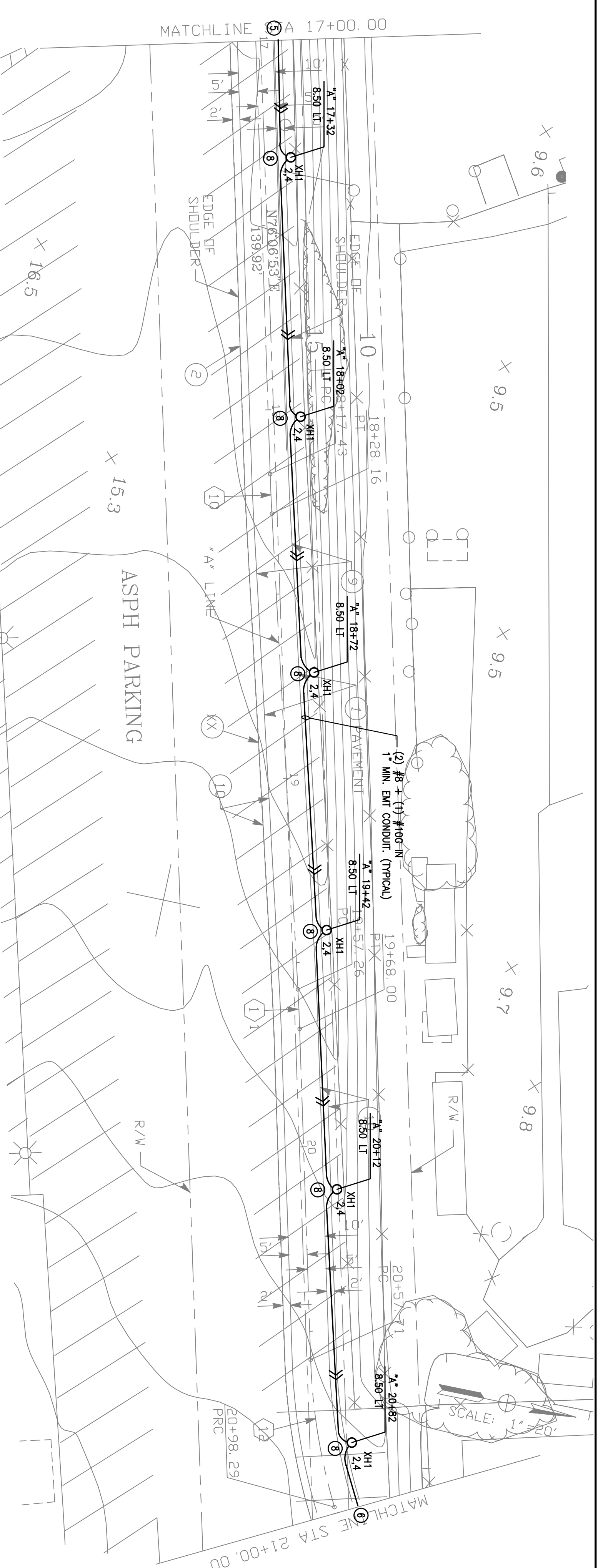
Spec No. 3248  
City Contract, CIP No. 58-147.0

PLANS FOR THE CONSTRUCTION OF:  
**ROSE CREEK BIKEWAY BRIDGE**  
ELECTRICAL - E1.1  
PLAN LAYOUTS  
STA 10+00.00 TO 17+00.00

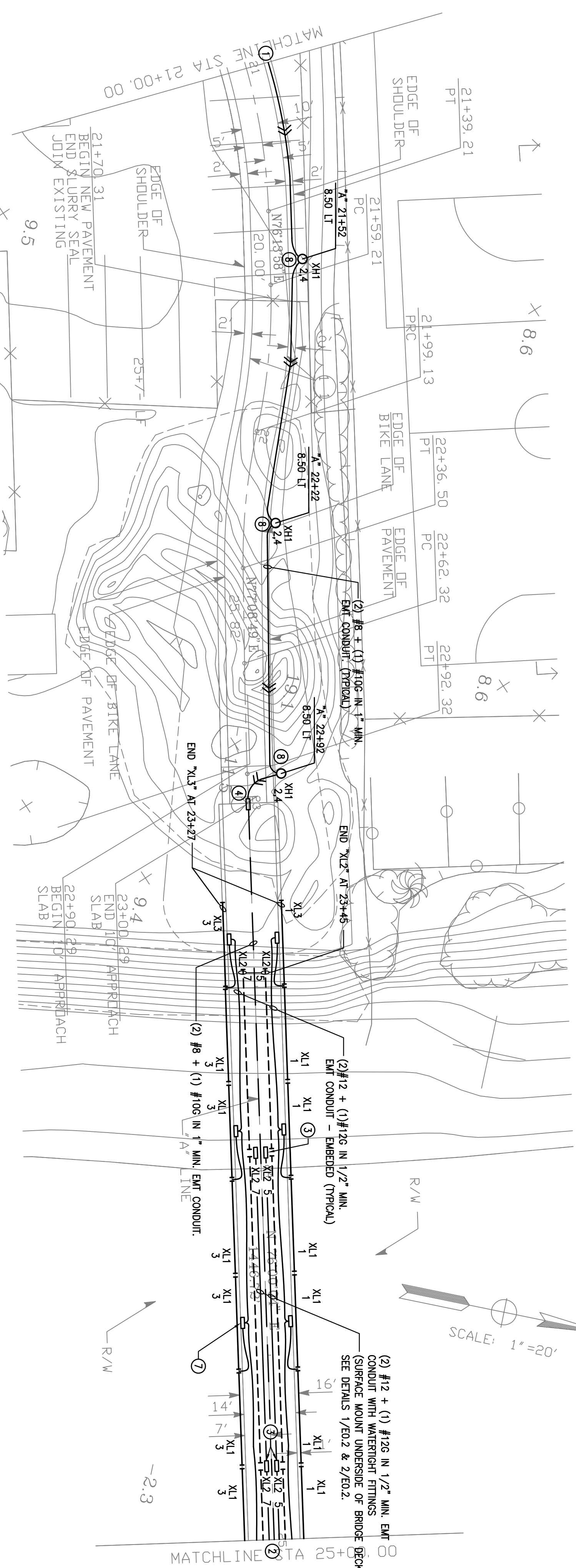
CITY OF SAN DIEGO, CALIFORNIA  
ENGINEERING AND CAPITAL PROJECTS DEPARTMENT  
SHEET 20 OF 35 SHEETS

FOR CITY ENGINEER	DATE	DATE	DATE	DATE	DATE
DESCRIPTION	BY	APPROVED	DATE	FILED	
FILE NUMBER					
DATE					
CONTRACTOR					
NO.					
DATE STARTED					
DATE COMPLETED					

W.O. 581470  
Joni Botto  
SECTION HEAD  
Ludwig Arkholt  
PROJECT MANAGER  
Andreg Demlich  
PROJECT ENGINEER  
230-1698  
LUMBERT CONSULTANTS  
33769-20-D



**1** ELECTRICAL PLAN - STA 17+00.00 TO STA 21+00.00  
SCALE: 1" = 20'



**2** ELECTRICAL PLAN - STA 21+00.00 TO STA 25+00.00  
SCALE: 1" = 20'

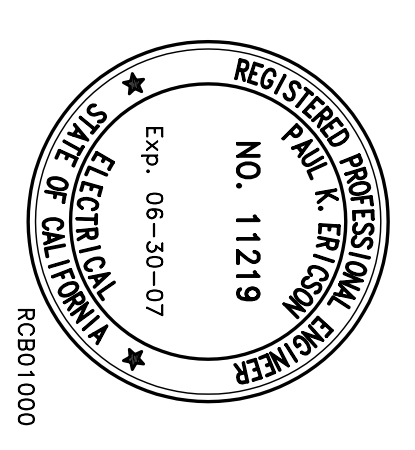
**SHEET NOTES**

- ① FOR CONTINUATION SEE DETAIL 1 ON SHEET E1.2.
- ② FOR CONTINUATION SEE DETAIL 1 ON SHEET E1.3.
- ③ SURFACE MOUNT SPURBOX (UNDERSIDE OF BRIDGE), PROVIDE HOFFMAN #4430SC OR EQUAL, REFER TO DETAIL 2/E0.2.
- ④ PROVIDE CONDUIT EXPANSION-SELECTION FITTING TO CONNECT UNDERGROUND CONDUIT TO BRIDGE EMBEDDED CONDUIT (AT TRANSITION). REFER TO CALTRANS 2002 STANDARD PLAN ES-98 DETAIL X.
- ⑤ FOR CONTINUATION SEE DETAIL 2 ON SHEET E1.1.
- ⑥ FOR CONTINUATION SEE DETAIL 2 ON SHEET E1.2.
- ⑦ LUMINAIRE TYPE "XL1/XL3" PRIMER ENCLOSURE, PROVIDE HOFFMAN #41030SC OR EQUAL, SPACED APPROXIMATELY 5'-0" ON CENTER - CENTERED WITHIN GUARDRAIL SUPPORTS. REFER TO DETAILS 2/E0.2 & 4/E0.2 (TYPICAL).
- ⑧ PROVIDE FILL BOX AT EACH LUMINAIRE TYPE "A" LOCATION, SEE DETAIL 1/E0.3.

Spec No. 3248  
City Contract, CIP No. 58-147.0

**PLANS FOR THE CONSTRUCTION OF:**

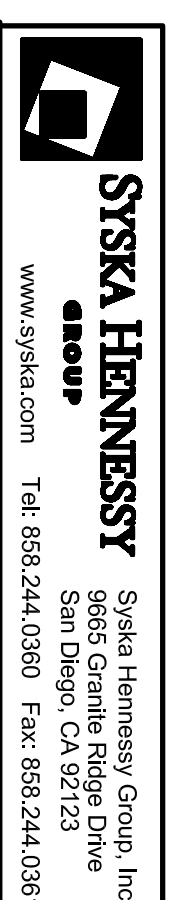
ROSE CREEK BIKEWAY BRIDGE  
ELECTRICAL - E1.2  
PLAN LAYOUTS  
STA 17+00.00 TO 25+00.00  
CITY OF SAN DIEGO, CALIFORNIA  
ENGINEERING AND CAPITAL PROJECTS DEPARTMENT  
SHEET 21 OF 35 SHEETS



REGISTERED PROFESSIONAL ENGINEER  
SISKA HENNESSY  
No. 11219  
Exp. 06-30-07  
STATE OF CALIFORNIA  
R0301000

CONTRACTOR MUST NOTIFY THE BELOW LISTED AGENCY AT LEAST TWO (2) WORKING DAYS PRIOR TO COMMENCEMENT OF EXCAVATION:

UNDERGROUND SERVICE ALERT  
(USA) 1-800-227-2600

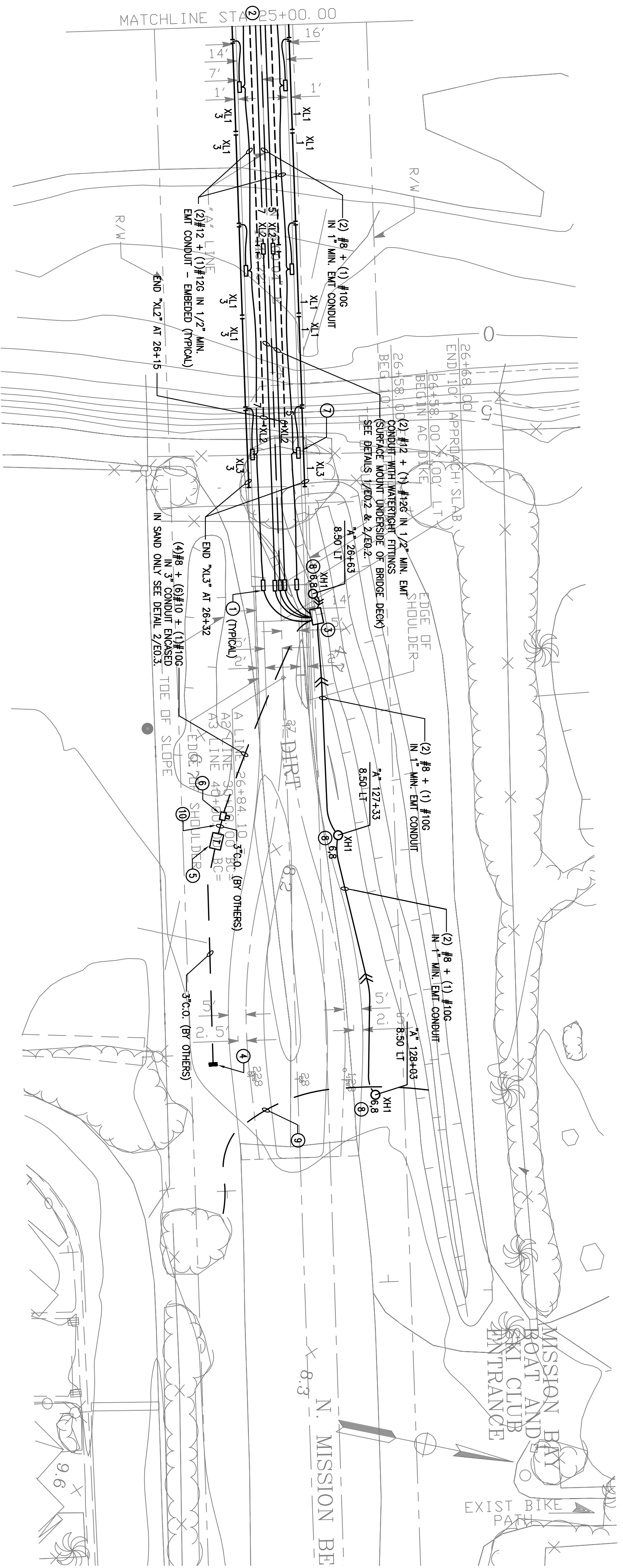


**SISKA HENNESSY GROUP, INC.**  
www.siskagroup.com  
Siska Hennessy Group, Inc.  
8665 Granite Ridge Drive  
San Diego, CA 92123  
Tel: 858.244.0380 Fax: 858.244.0381

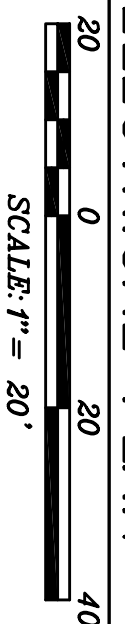
**ENGINEER OF WORK**  
No. 499  
Exp. 06-30-01  
DATE

FOR CITY ENGINEER	DATE	APPROVED	DATE	FILED
DESIGNER				
CHECKED				
PROJECT ENGINEER				
DATE STARTED				
DATE COMPLETED				

NO. 58147.0  
Joni Botto  
Ludwig Arkoff  
PROJECT MANAGER  
Andreas Demich  
PROJECT ENGINEER  
230-1698  
LUMBERT CONSULTANTS  
33769-21-D



**1 ELECTRICAL PLAN - STA 25+00.00 TO STA 29+00.00**

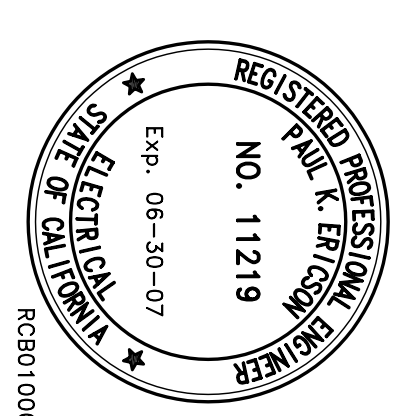


- SHEET NOTES**
- 1 PROVIDE CONDUIT EXPANSION-DEFLECTION FITTING TO CONNECT UNDERGROUND CONDUIT TO BRIDGE EMBEDDED CONDUIT (AT TRANSITION); REFER TO CALTRANS 2002 STD. PLAN ES-9B DETAIL 1.
  - 2 FOR CONTINUATION SEE DETAIL 2 ON SHEET E1.2.
  - 3 CALTRANS #3.5 PULL BOX. REFER TO CALTRANS 2002 STANDARD PLAN ES-6.
  - 4 STUB AND CONNECT TO SPOKE. PRIMARY SERVICE LATERAL. EXACT POINT OF CONNECTION SHALL BE VERIFIED BY SPOKE.
  - 5 SPOKE TRANSFORMER P.O., 36" X 32" OR AS DETERMINED BY SPOKE. TO BE INSTALLED BY SPOKE. CITY/CONTRACTOR TO COORDINATE INSTALLATION WITH SPOKE.
  - 6 INSTALL (WP) METER W/DISTRIBUTION EQUIP. SEE 3/EO.3. PANEL 'X' SHALL BE WP AND INTEGRAL TO METER EQUIP. ALONG WITH ALL LIGHTING CONTROLS AS SHOWN AND IMPLIED AS BEING REQUIRED.
  - 7 LUMINAIRE TYPE 'X1/1X1.3' BRACKER ENCLOSURE. PROVIDE HOPEMAN #A10430SC OR EQUAL. SPACED APPROXIMATELY 52'-0" ON CENTER - CENTERED WITHIN GUARDRAIL SUPPORTS. REFER TO DETAILS 2/EO.2 & 4/EO.2 (TYPICAL).
  - 8 PROVIDE PULL BOX AT EACH LUMINAIRE TYPE 'X' LOCATION. SEE DETAIL 1/EO.3.
  - 9 APPROXIMATE LOCATION OF EXISTING SPOKE PRIMARY TRENCH. VERIFY LOCATION WITH SPOKE.
  - 10 THE MTD EXISTING STUB-OUT BEING PROVIDED BY SPOKE.

Spec No. 3248  
City Contract, CIP No. 58-147.0

**PLANS FOR THE CONSTRUCTION OF:**

**ROSE CREEK BIKEWAY BRIDGE**  
ELECTRICAL - E1.3  
PLAN LAYOUTS  
STA 25+00.00 TO 29+00.00  
CITY OF SAN DIEGO, CALIFORNIA  
ENGINEERING AND CAPITAL PROJECTS DEPARTMENT  
SHEET 22 OF 35 SHEETS



CONTRACTOR MUST NOTIFY THE BELOW LISTED AGENCY AT LEAST TWO (2) WORKING DAYS PRIOR TO COMMENCEMENT OF EXCAVATION :		REGD. PROFESSIONAL ENGINEER PAUL K. ERICKSON NO. 11219 Exp. 06-30-07 STATE OF CALIFORNIA R0301000
FOR CITY ENGINEER	DATE	Janae Botto
DESCRIPTION	BY	LUDWIG A. RIKOIT
FILE NUMBER	APPROVED	PROJECT MANAGER
	DATE	Andreas Demlich
		PROJECT ENGINEER
		230-1698
		LAMBERT CONSULTANTS
AS-BUILT	DATE STARTED	
CONTRACTOR	DATE COMPLETED	
SECTION		33769-22-D

**SYSKA HENNESSY GROUP**  
Siskia Hennessy Group, Inc.  
8665 Granite Ridge Drive  
San Diego, CA 92123  
Tel: 858.244.0380 Fax: 858.244.0381  
www.syska.com

**ENGINEER OF WORK**  
No. 499 06-30-07 DATE  
PROJECT ENGINEER Paul K. Erickson REG. EXP. 06-30-07 DATE